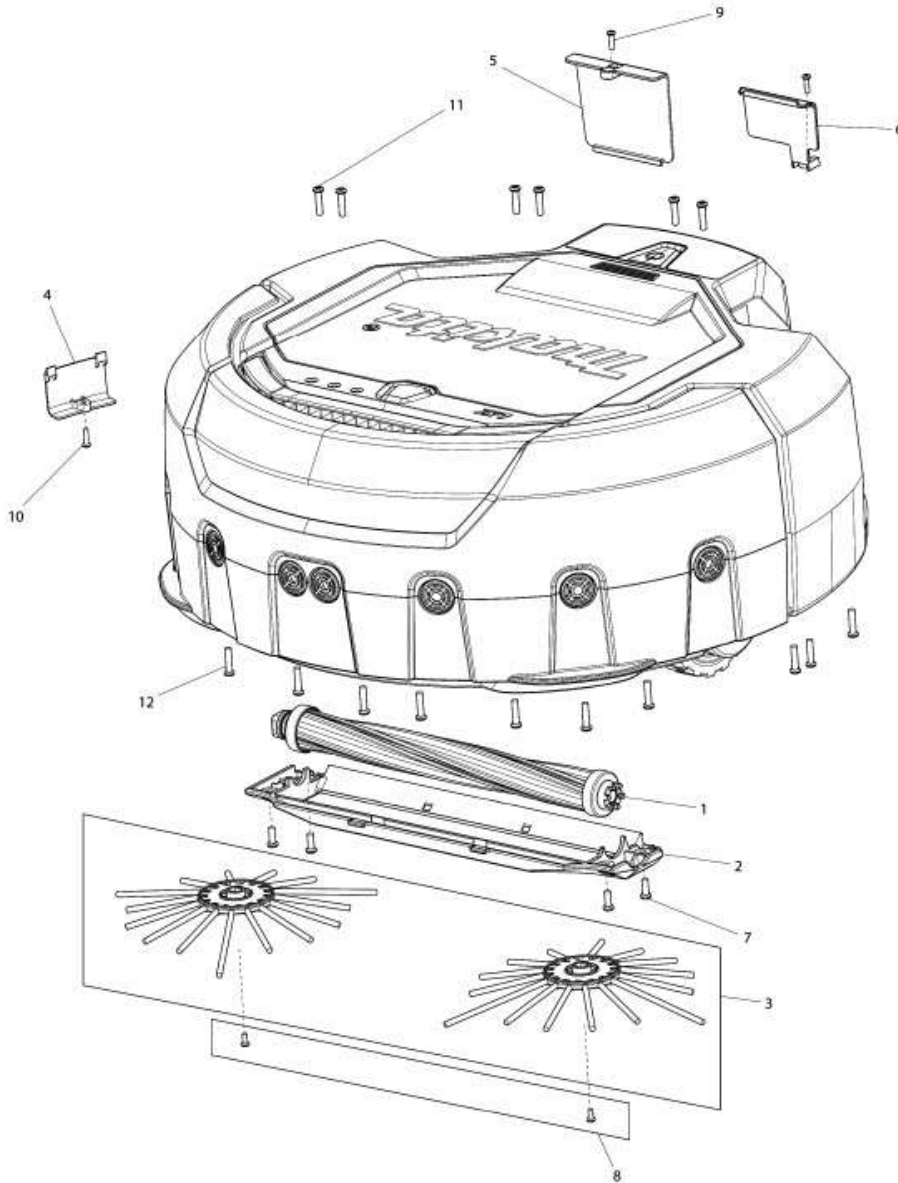
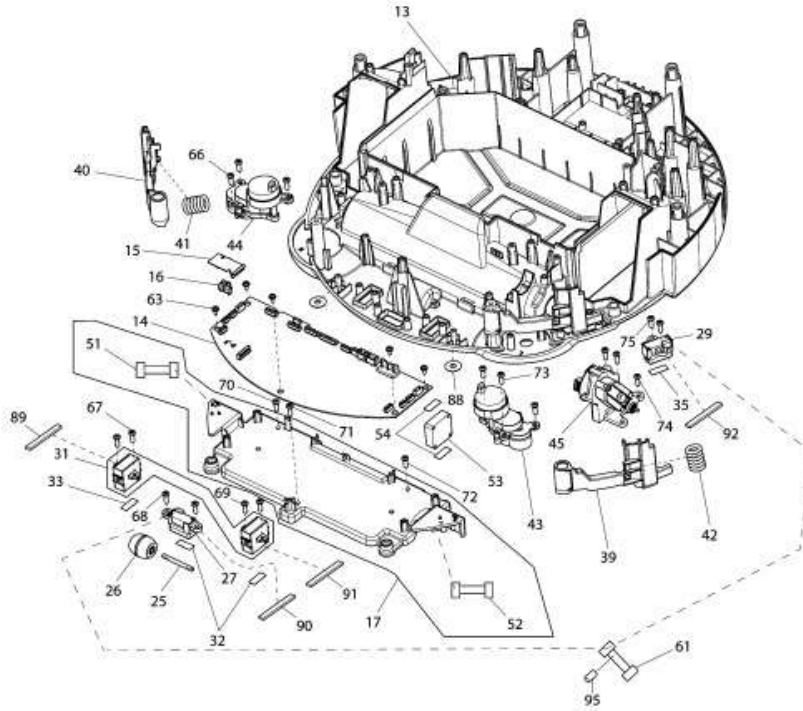


Part Diagram: DRC200Z

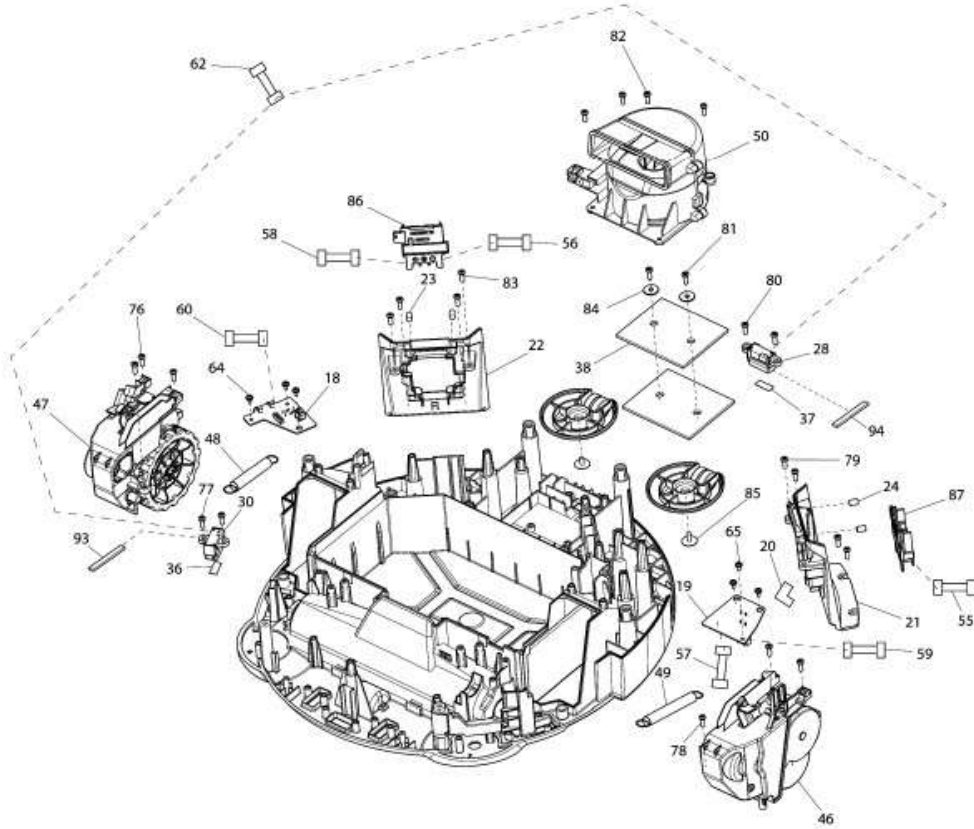
Model No.DRC200 ROBOTIC CLEANER



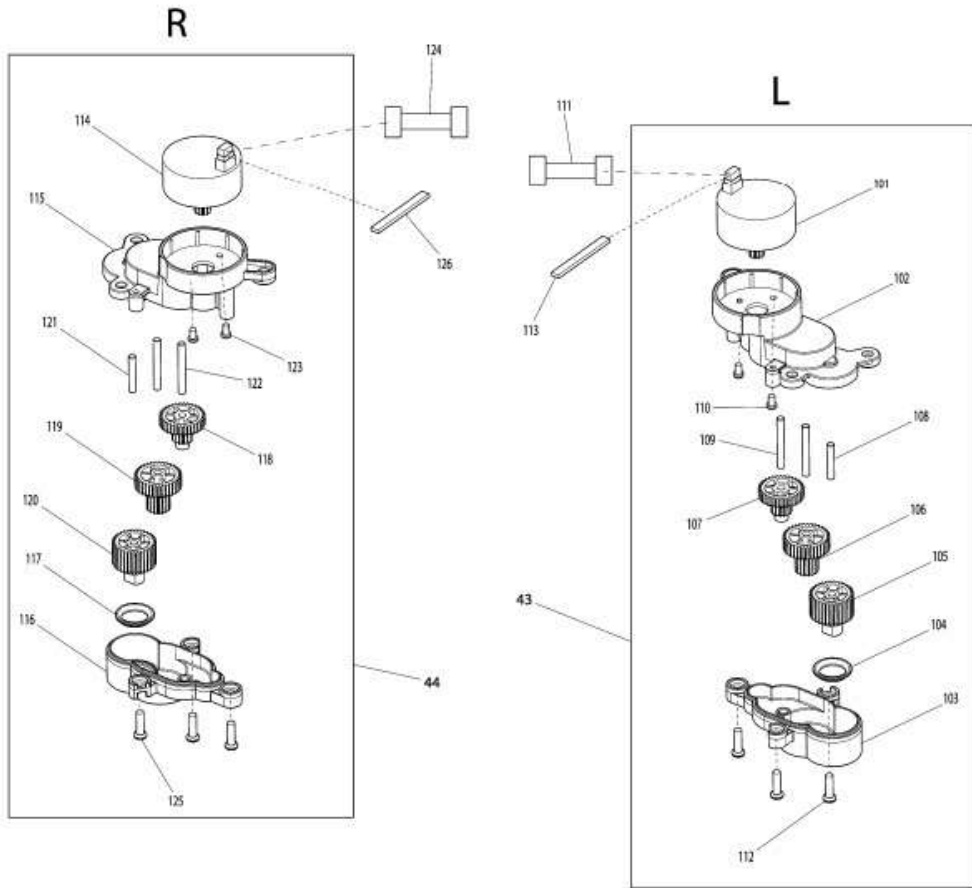
Model No.DRC200 ROBOTIC CLEANER



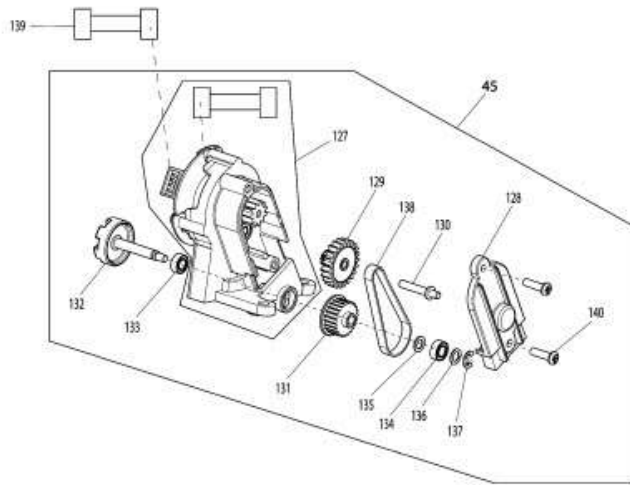
Model No.DRC200 ROBOTIC CLEANER



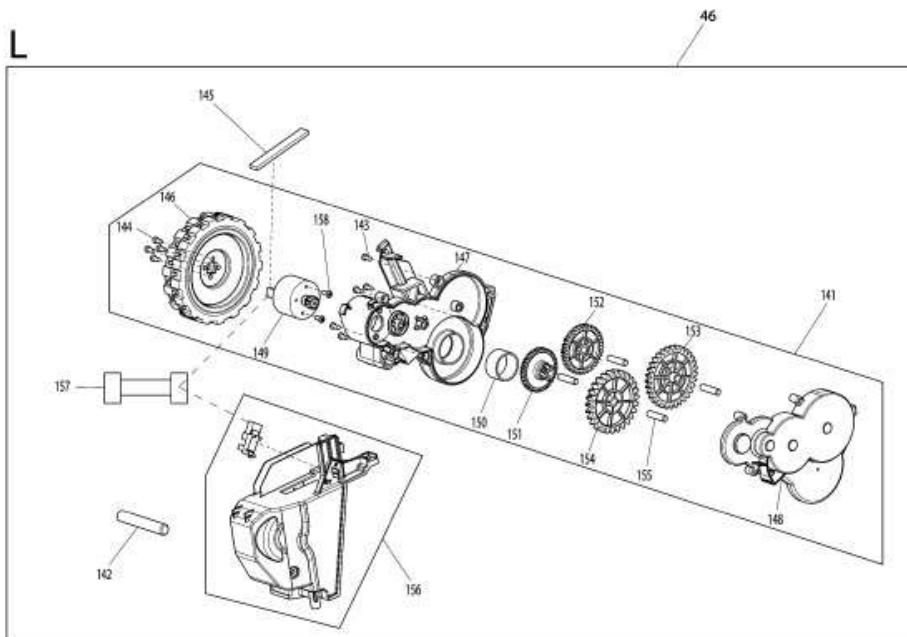
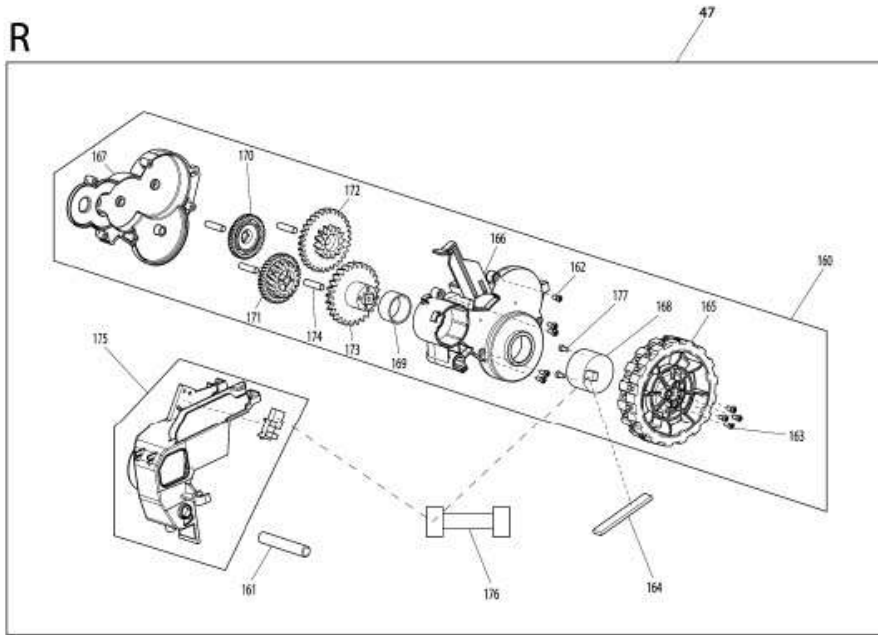
Model No.DRC200 ROBOTIC CLEANER



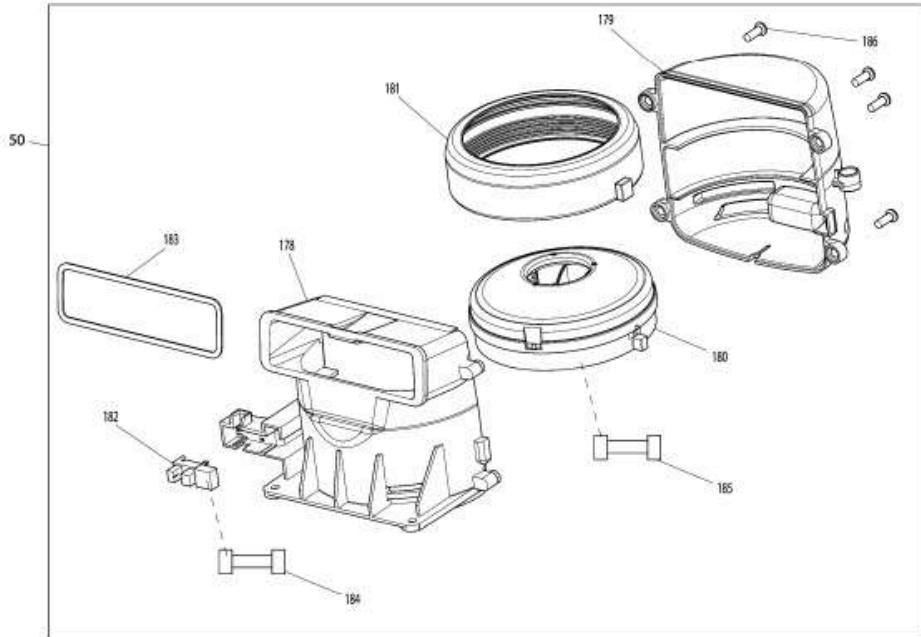
Model No.DRC200 ROBOTIC CLEANER



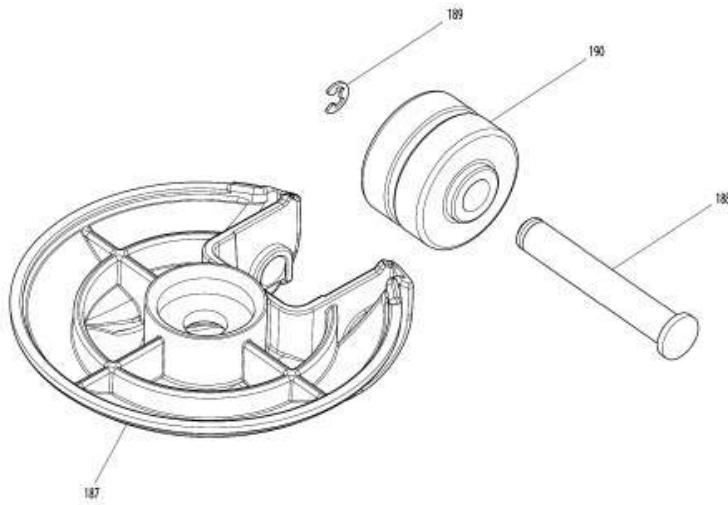
Model No.DRC200 ROBOTIC CLEANER



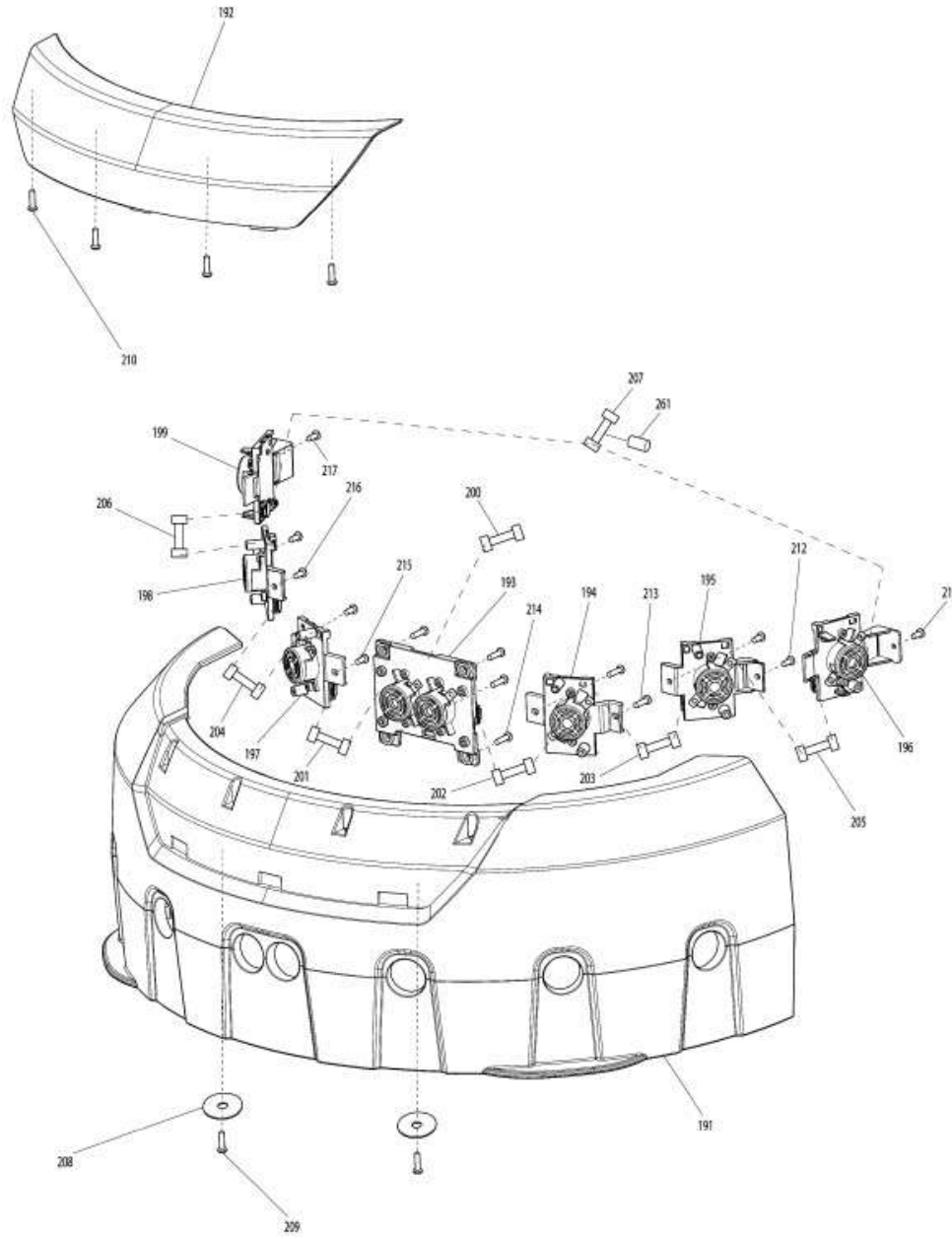
Model No.DRC200 ROBOTIC CLEANER



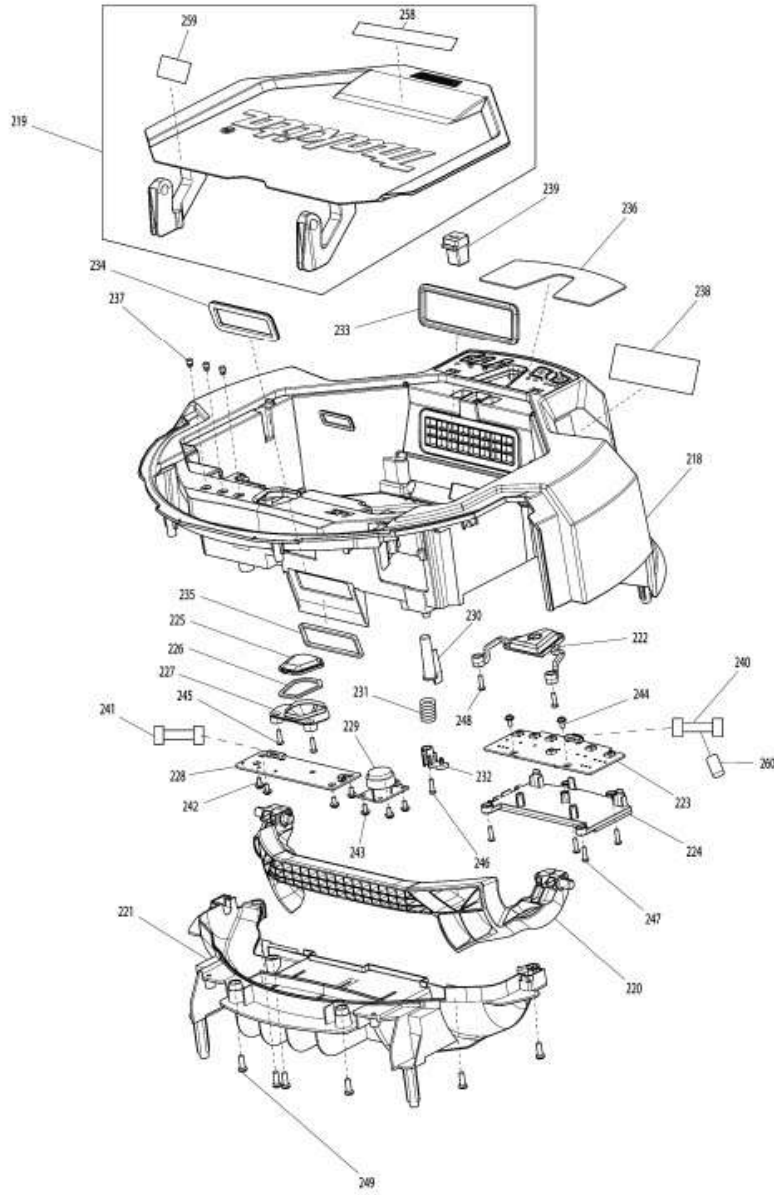
Model No.DRC200 ROBOTIC CLEANER



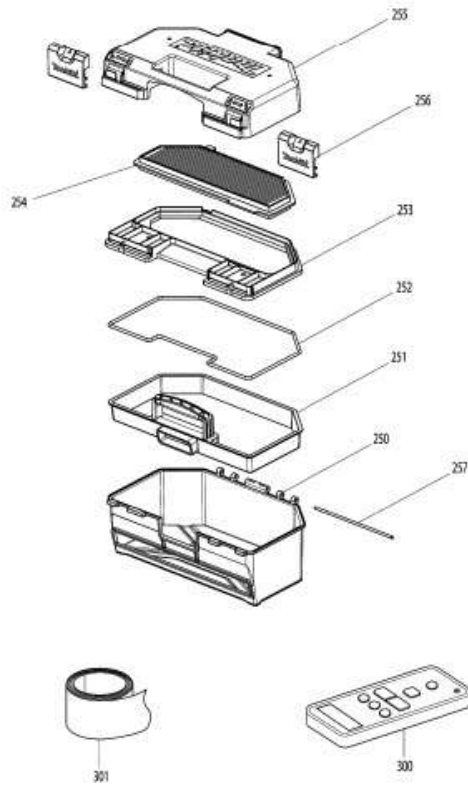
Model No.DRC200 ROBOTIC CLEANER



Model No.DRC200 ROBOTIC CLEANER



Model No.DRC200 ROBOTIC CLEANER



Item	Sub	Parts No.	Parts Description	Qty
1		SH00000063	MAIN BRUSH ASSY	1
001-1		SH00000313	ROTATION BRUSH	1
2		SH00000064	BOTTOM PLATE ASSY	1
002-1		SH00000314	ROTATION BRUSH COVER	1
3		SH00000065	SIDE BRUSH ASSY 2PCS	1
4		SH00000066	FW COVER	1
5		SH00000067	CABLE COVER R	1
005-1		SH00000267	CABLE COVER R	1
6		SH00000068	CABLE COVER L	1
006-1		SH00000268	CABLE COVER	1
7		SH00000069	SCREW(M4X8 MACHIN)	4
8		SH00000070	SB SCREW ASSY 2PCS	1
9		SH00000071	SCREW(M3X10)	2
10		SH00000071	SCREW(M3X10)	1
11		SH00000221	SCREW(M4X16)	6
12		SH00000221	SCREW(M4X16)	10
13		SH00000072	LOWER BODY ASSY	1
013-1		SH00000315	LOWER BODY ASSY	1
14		SH00000073	CONTROL PWB ASSY	1
014-1		SH00000291	CONTROL PWB ASSY	1
15		SH00000241	RF MODULE	1
015-1		SH00000305	RF MODULE	1
16		SH00000075	RF HOLDER	1
17		SH00000076	CONTROL HOLDER ASSY	1
17	D10		INC. 51,52	
017-1		SH00000287	CONTROL HOLDER ASSY	1
017-1	D10		INC. 51,52	
18		SH00000078	AS PWB ASSY	1
018-1		SH00000293	AS PWB ASSY	1
19		SH00000079	BATTERY PWB ASSY	1
019-1		SH00000294	BATTERY PWB ASSY	1
20		SH00000080	INSULATING SHEET	1
21		SH00000081	TERMINAL HOLDER L	1
22		SH00000082	TERMINAL HOLDER R	1
23		SH00000083	RUBBER PIN	2
24		SH00000083	RUBBER PIN	2
25		SH00000084	FRONT ROLLER SHAFT	1
26		SH00000085	FRONT ROLLER ASSY	1
27		SH00000086	IR SENSOR C ASSY	1
027-1		SH00000278	IR SENSOR C ASSY	1
027-2		SH00000303	IR SENSOR C ASSY	1
027-2	C10	SH00000307	TAPPING BUSH	2
027-2	C20	SH00000308	IR HOLDER CK	1
28		SH00000086	IR SENSOR C ASSY	1
028-1		SH00000278	IR SENSOR C ASSY	1
028-2		SH00000303	IR SENSOR C ASSY	1
028-2	C10	SH00000307	TAPPING BUSH	2
028-2	C20	SH00000308	IR HOLDER CK	1
29		SH00000087	IR SENSOR S ASSY	1
029-1		SH00000279	IR SENSOR S ASSY	1
029-2		SH00000304	IR SENSOR S ASSY	1
029-2	C10	SH00000307	TAPPING BUSH	2
029-2	C20	SH00000309	IR HOLDER SK	1
30		SH00000087	IR SENSOR S ASSY	1
030-1		SH00000279	IR SENSOR S ASSY	1
030-2		SH00000304	IR SENSOR S ASSY	1
030-2	C10	SH00000307	TAPPING BUSH	1
030-2	C20	SH00000309	IR HOLDER SK	1
31		SH00000088	BL SENSOR ASSY	1



Item	Sub	Parts No.	Parts Description	Qty
031-1		SH00000280	BL SENSOR ASSY	1
32		SH00000222	SENSOR LENS SHEET	2
33		SH00000222	SENSOR LENS SHEET	1
35		SH00000222	SENSOR LENS SHEET	1
36		SH00000222	SENSOR LENS SHEET	1
37		SH00000222	SENSOR LENS SHEET	1
38		SH00000089	WEIGHT PLATE	2
39		SH00000090	BUMPER ANGLE L	1
40		SH00000091	BUMPER ANGLE R	1
040-1		SH00000277	BUMPER ANGLE R	1
41		SH00000092	BUMPER SPRING	1
42		SH00000092	BUMPER SPRING	1
43		SH00000093	SB UNIT L ASSY	1
43	D10		INC. 101-110,112	
44		SH00000094	SB UNIT R ASSY	1
44	D10		INC. 114-123,125	
45		SH00000095	PB SUPPORT S ASSY	1
45	D10		INC. 127-138,140	
045-1		SH00000316	PB SUPPORT SK ASSY	1
045-1	D10		INC. 127-138,140	
46		SH00000096	MAIN WHEEL L ASSY	1
46	D10		INC. 141,142,145,156,157	
47		SH00000097	MAIN WHEEL R ASSY	1
47	D10		INC. 160,161,164,175,176	
047-1		SH00000288	MAIN WHEEL R ASSY	1
047-1	D10		INC. 160,161,164,175,176	
48		SH00000098	WHEEL SPRING	1
49		SH00000098	WHEEL SPRING	1
50		SH00000099	AIR DUCT UNIT ASSY	1
50	D10		INC. 178-186	
51		SH00000101	BUMPER SW CABLE	1
52		SH00000101	BUMPER SW CABLE	1
53		SH00000223	COOLING FAN S ASSY	1
54		SH00000224	COOLING FAN SEAL	2
55		SH00000104	BATTERY CABLE L	1
56		SH00000105	BATTERY CABLE R	1
57		SH00000106	BATTERY PS CABLE	1
58		SH00000107	BATTERY SIGNAL CABLE	1
59		SH00000108	BATTERY EARTH CABLE	1
60		SH00000109	AS CABLE	1
61		SH00000242	CLIFF SENSOR CABLE L	1
62		SH00000243	CLIFF SENSOR CABLE R	1
63		SH00000110	SCREW(M3X8XWASHER8)	5
64		SH00000110	SCREW(M3X8XWASHER8)	3
65		SH00000110	SCREW(M3X8XWASHER8)	3
66		SH00000111	SCREW(M4X10)	3
67		SH00000111	SCREW(M4X10)	2
68		SH00000111	SCREW(M4X10)	2
69		SH00000111	SCREW(M4X10)	2
70		SH00000111	SCREW(M4X10)	1
71		SH00000111	SCREW(M4X10)	1
72		SH00000111	SCREW(M4X10)	1
73		SH00000111	SCREW(M4X10)	3
74		SH00000111	SCREW(M4X10)	3
75		SH00000111	SCREW(M4X10)	2
76		SH00000111	SCREW(M4X10)	3
77		SH00000111	SCREW(M4X10)	
78		SH00000111	SCREW(M4X10)	
79		SH00000111	SCREW(M4X10)	
80		SH00000111	SCREW(M4X10)	2



Item	Sub	Parts No.	Parts Description	Qty
81		SH00000111	SCREW(M4X10)	2
82		SH00000111	SCREW(M4X10)	4
83		SH00000111	SCREW(M4X10)	4
84		SH00000112	WASHER(4.5X13XT1)	2
85		SH00000113	SCREW(M5X10XWASHER16)	2
86		643899-6	TERMINAL	1
086-1		643523-1	TERMINAL	1
87		643899-6	TERMINAL	1
087-1		643523-1	TERMINAL	1
88		SH00000226	PC WASHER	2
89		SH00000236	SENSOR LENZ SEAL	1
90		SH00000236	SENSOR LENZ SEAL	1
91		SH00000236	SENSOR LENZ SEAL	1
92		SH00000236	SENSOR LENZ SEAL	1
93		SH00000236	SENSOR LENZ SEAL	1
94		SH00000236	SENSOR LENZ SEAL	1
95		SH00000244	FERRITE CORE	4
101		SH00000114	MOTOR S ASSY	1
102		SH00000115	SB MOTOR HOLDER L	1
103		SH00000116	SB MOTOR COVER	1
104		SH00000117	SB METAL	1
105		SH00000118	SB GEAR 4 ASSY	1
106		SH00000119	SB GEAR 3	1
107		SH00000120	SB GEAR 2	1
108		SH00000121	COMMON SHAFT 1	1
109		SH00000122	SB GEAR SHAFT 1	2
110		SH00000123	SCREW(M2.6X4 MACHINE)	2
111		SH00000124	SIDE BRUSH CABLE	1
112		SH00000071	SCREW(M3X10)	3
113		SH00000227	MOTOR SEAL	1
114		SH00000114	MOTOR S ASSY	1
115		SH00000125	SB MOTOR HOLDER R	1
116		SH00000116	SB MOTOR COVER	1
117		SH00000117	SB METAL	1
118		SH00000120	SB GEAR 2	1
119		SH00000119	SB GEAR 3	1
120		SH00000118	SB GEAR 4 ASSY	1
121		SH00000121	COMMON SHAFT 1	1
122		SH00000122	SB GEAR SHAFT 1	2
123		SH00000123	SCREW(M2.6X4 MACHINE)	2
124		SH00000124	SIDE BRUSH CABLE	1
125		SH00000071	SCREW(M3X10)	3
126		SH00000227	MOTOR SEAL	1
127		SH00000126	PB MOTOR D ASSY	1
127-1		SH00000317	PB MOTOR DK ASSY	1
128		SH00000127	PB SUPPORT COVER K	1
129		SH00000129	PB BELT GEAR 2	1
130		SH00000130	BELT GEAR SHAFT	1
131		SH00000131	PB BELT GEAR 3	1
132		SH00000132	PB HOLDER ASSY	1
132-1		SH00000318	PB HOLDER K ASSY	1
133		SH00000133	BEARING	1
134		SH00000133	BEARING	1
135		SH00000134	P WASHER 050	1
136		SH00000134	P WASHER 050	1
137-1		SH00000228	E RING	1
138		SH00000136	TIMING BELT	1
139		SH00000137	PB MOTOR CABLE	1
140		SH00000071	SCREW(M3X10)	2
141		SH00000139	MAIN WHEEL L UNIT	1



Item	Sub	Parts No.	Parts Description	Qty
141	D10		INC. 143,144,146-155,158	
142		SH00000152	MAIN WHEEL SHAFT	1
143		SH00000071	SCREW(M3X10)	5
144		SH00000229	SCREW(M3X10)	4
145		SH00000227	MOTOR SEAL	1
146		SH00000150	WHEEL L ASSY	1
147		SH00000140	WHEEL GEAR BOX L	1
148		SH00000141	WHEEL GEAR COVER L	1
149		SH00000142	MW MOTOR S ASSY	1
150		SH00000143	WHEEL METAL RING	1
151		SH00000144	WHEEL GEAR 2	1
152		SH00000145	WHEEL GEAR 3	1
153		SH00000146	WHEEL GEAR 4	1
154		SH00000147	WHEEL GEAR 5	1
155		SH00000148	WHEEL GEAR SHAFT 1	4
156		SH00000151	WHEEL L UNIT COVER	1
157		SH00000153	WHEEL CABLE	1
158		SH00000123	SCREW(M2.6X4 MACHINE)	2
160		SH00000154	MAIN WHEEL R UNIT	1
160	D10		INC. 162,163,165-174,177	
161		SH00000152	MAIN WHEEL SHAFT	1
162		SH00000071	SCREW(M3X10)	5
163		SH00000229	SCREW(M3X10)	4
164		SH00000227	MOTOR SEAL	1
165		SH00000157	WHEEL R ASSY	1
166		SH00000155	WHEEL GEAR BOX R	1
167		SH00000156	WHEEL GEAR COVER R	1
168		SH00000142	MW MOTOR S ASSY	1
169		SH00000143	WHEEL METAL RING	1
170		SH00000144	WHEEL GEAR 2	1
171		SH00000145	WHEEL GEAR 3	1
172		SH00000146	WHEEL GEAR 4	1
173		SH00000147	WHEEL GEAR 5	1
174		SH00000148	WHEEL GEAR SHAFT 1	4
175		SH00000158	WHEEL R UNIT COVER	1
175-1		SH00000289	WHEEL R UNIT COVER	1
176		SH00000153	WHEEL CABLE	1
177		SH00000123	SCREW(M2.6X4 MACHINE)	2
178		SH00000159	AIR DUCT FRONT	1
179		SH00000160	AIR DUCT REAR	1
180		SH00000161	FAN MOTOR UNIT ASSY	1
181		SH00000162	FAN CUSHION	1
182		SH00000077	PHOTO SENSOR	1
183		SH00000163	INTAKE SEAL	1
184		SH00000164	CUP SENSOR CABLE	1
185		SH00000165	FAN MOTOR CABLE	1
186		SH00000111	SCREW(M4X10)	4
187		SH00000166	REAR CASTER FRAME	2
188		SH00000167	REAR CASTER SHAFT	2
189		SH00000135	U RING	2
190		SH00000168	CASTER ASSY	2
191		SH00000169	BUMPER	1
192		SH00000170	BUMPER DECO	1
193		SH00000171	US HOLDER C ASSY	1
193-1		SH00000295	US HOLDER C ASSY	1
194		SH00000172	US HOLDER L1 ASSY	1
194-1		SH00000296	US HOLDER L1 ASSY	1
195		SH00000173	US HOLDER L2 ASSY	1
195-1		SH00000297	US HOLDER L2 ASSY	1
196		SH00000174	US HOLDER L3 ASSY	1



Item	Sub	Parts No.	Parts Description	Qty
196-1		SH00000298	US HOLDER L3 ASSY	1
197		SH00000175	US HOLDER R1 ASSY	1
197-1		SH00000299	US HOLDER R1 ASSY	1
198		SH00000176	US HOLDER R2 ASSY	1
198-1		SH00000300	US HOLDER R2 ASSY	1
199		SH00000177	US HOLDER R3 ASSY	1
199-1		SH00000301	US HOLDER R3 ASSY	1
200		SH00000245	US CABLE C	1
201		SH00000179	US CABLE 1	1
202		SH00000179	US CABLE 1	1
203		SH00000180	US CABLE 2	1
204		SH00000180	US CABLE 2	1
205		SH00000181	US CABLE 3	1
206		SH00000181	US CABLE 3	1
207		SH00000182	US EARTH CABLE	1
208		SH00000183	WASHER(4.5/25/T1)	2
209		SH00000111	SCREW(M4X10)	2
210-1		SH00000184	SCREW(M3X6)	4
211		SH00000184	SCREW(M3X6)	1
212		SH00000184	SCREW(M3X6)	2
213		SH00000184	SCREW(M3X6)	2
214		SH00000184	SCREW(M3X6)	4
215		SH00000184	SCREW(M3X6)	2
216		SH00000184	SCREW(M3X6)	2
217		SH00000184	SCREW(M3X6)	1
218		SH00000185	UPPER BODY	1
219		SH00000247	CASE COVER K	1
220		SH00000187	HANDLE	1
221		SH00000188	HANDLE COVER	1
221-1		SH00000269	HANDLE COVER	1
222		SH00000189	UI BUTTON	1
223		SH00000190	UI PWB ASSY	1
223-1		SH00000302	UI PWB ASSY	1
224		SH00000191	UI PWB HOLDER	1
225		SH00000192	LED LENS L	1
226		SH00000193	LED LENS SEAL	1
227		SH00000194	LED REFLECTOR	1
228		SH00000195	LED PWB ASSY	1
229		SH00000196	BUZZER PWB ASSY	1
230		SH00000197	FILTER BUTTON	1
230-1		SH00000270	FILTER BUTTON	1
231		SH00000198	FILTER BUTTON SP	1
232		SH00000199	FILTER BUTTON HOLDER	1
232-1		SH00000271	FILTER BUTTON HOLDER	1
233		SH00000200	INTAKE PACKING	1
234		SH00000201	NOZZLE PACKING	1
235		SH00000202	NOZZLE SEAL	1
236		SH00000248	UI KEY SHEET	1
237		SH00000204	LED LENS S	3
238		SH00000205	EXHAUST FILTER ASSY	1
239		SH00000206	CATCH LATCH	1
240		SH00000249	UI CABLE	1
241		SH00000208	LED CABLE	1
242		SH00000110	SCREW(M3X8XWASHER8)	4
243		SH00000110	SCREW(M3X8XWASHER8)	3
244		SH00000110	SCREW(M3X8XWASHER8)	2
245		SH00000184	SCREW(M3X6)	1
246		SH00000071	SCREW(M3X10)	4
247		SH00000071	SCREW(M3X10)	4
248		SH00000071	SCREW(M3X10)	2



Item	Sub	Parts No.	Parts Description	Qty
249		SH00000111	SCREW(M4X10)	6
250		SH00000209	DUST BOX LOWER	1
251		SH00000210	DUST CASE	1
252		SH00000211	DUST SEAL RING	1
253		SH00000212	DUST BOX UPPER	1
254		SH00000213	FILTER UNIT'S ASSY	1
255		SH00000214	DUST BOX COVER	1
256		SH00000215	DUST SLIDE LEVER	2
257		SH00000216	DUST BOX PIN	1
258		SH00000252	CAUTION LABEL	1
259		SH00000253	ROBOPRO LABEL	1
260		SH00000244	FERRITE CORE	1
261		SH00000244	FERRITE CORE	1
300		SH00000237	RF CONTROLLER ASSY	1
301		SH00000240	SENSOR WALL TAPE US AU	1
302		SH00000281	BL SENSOR SEAL	2
304		SH00000407	TAPPING SCREW M3X16	2



 Print

